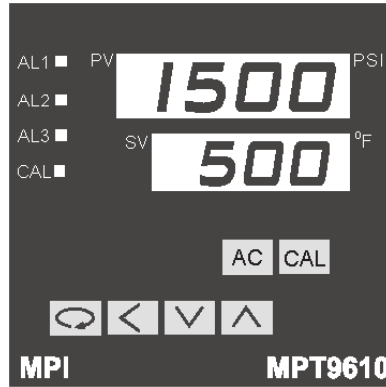




# MELT PRESSURE & TEMPERATURE ALARM

## MODEL MPT9610



### STANDARD

**PRESSURE TRANSDUCER INPUT**  
**SCALEABLE RANGE**  
**ALARM HIGH / LOW**  
**AUTO CALIBRATION**  
**AUTO ZERO**  
**PROCESS VALUE - RETRANS**

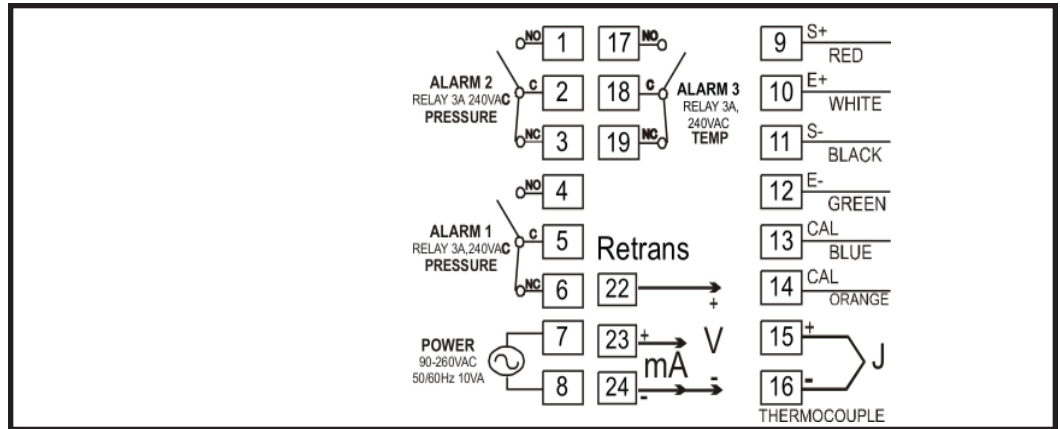
**THERMOCOUPLE J INPUT**  
**ALARM HIGH / LOW**  
**LOCKOUT**

## MODEL CODE

MPT9610-PTRRRR -

RETRANS of PV	PRESSURE	TEMPERATURE
M 4-20mA	eg. 10,000psi	eg. 10,000psi
0 0-10mA	700bar	700bar
1 0-20mA		
5 0-5V		
6 1-5V		
10 0-10V		

## TERMINAL CONFIGURATION



## SPECIFICATIONS

### 1. INPUTS

PRESSURE TRANSDUCER 350ohm STRAIN GAUGE, 3.3mV/V, EXCIT-10VDC  
 TEMPERATURE THERMOCOUPLE J  
 ACCURACY +/-0.5%  
 SAMPLE RATE 250mS

### 2. ALARM OUTPUTS

ALARM 1 (PRESSURE) 5A/240VAC resistive  
 ALARM 2 (TEMPERATURE) 5A/240VAC resistive

### 3. RETRANSMISSION of PRESSURE VALUE

CURRENT 4-20mA, 0-20mA, 0-10mA Max load 500 ohm  
 VOLTAGE 0-5VDC, 1-5VDC Max 20mA

### 4. POWER

RATING 85 - 265 VAC 50/60Hz 10VA max

### 5. ENVIRONMENTAL

OPERATING TEMP -10 - 50C  
 HUMIDITY 90% MAX  
 INSULATION 20M ohms minimum @ 500VDC  
 WEIGHT 300g

### 6. PHYSICAL DIMENSIONS

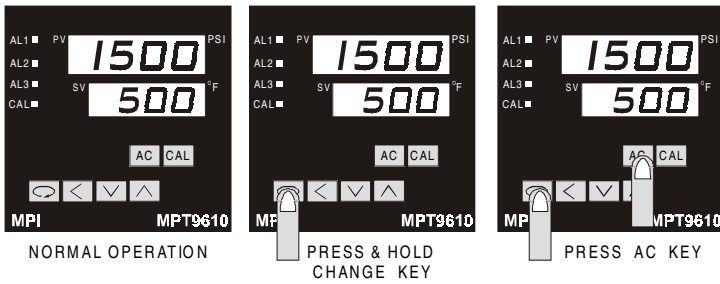
MPT9610 96mmW x 48mmH x 100mmD  
 MPT9610 Cutout 91mmW x 45mmH +/-0.5mm

TOLL FREE (800) 817-3486

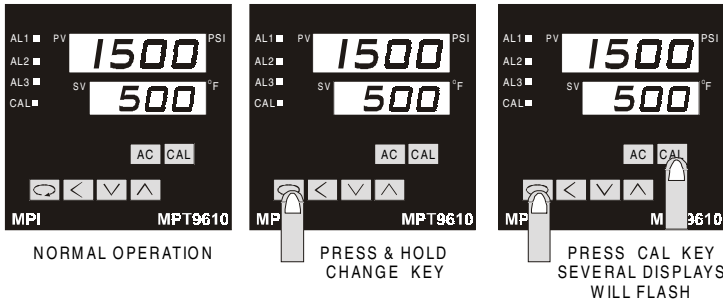
PH (416) 675-7329

FX (416) 675-7349

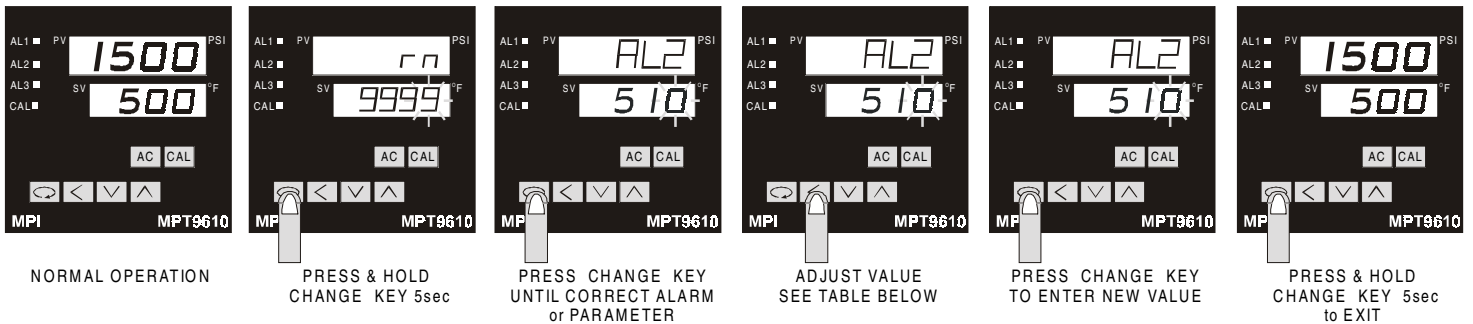
## ZERO DISPLAY-PRESSURE




## AUTO CAL-PRESSURE



## CHANGE ALARMS / PARAMETERS



CODE	PARAMETER	RANGE	DEFAULT
rn	PRESSURE RANGE	500 - 9999	9999
du	DISPLAY GRADUATION	1, 2, 5	5
AL1	PRESSURE ALARM 1	0 - 9999	8000
P1HL	PRESSURE ALARM 1 TYPE	0000 - HIGH ALARM 0001 - LOW ALARM	0000 - HIGH ALARM
AL2	PRESSURE ALARM 2	0 - 9999	1000
P2HL	PRESSURE ALARM 2 TYPE	0000 - HIGH ALARM 0001 - LOW ALARM	0001 - LOW ALARM
AL3	TEMPERATURE ALARM	0 - 800	400
EHL	TEMPERATURE ALARM TYPE & DEGREE °F / °C	0000 - HI ALARM (°C) 0001 - LO ALARM (°C) 0002 - HI ALARM (°F) 0003 - LO ALARM (°F)	0002 - HI ALARM (°F)
CC	DO NOT ADJUST	DO NOT ADJUST	DO NOT ADJUST
HC	DO NOT ADJUST	DO NOT ADJUST	DO NOT ADJUST
OUT	RETRANSMISSION PROCESS VALUE	0-10 (0-10mA) 0-10 (0-10VDC) 4-20 (4-20mA) 0-5 (0-5VDC) 0-20 (0-10mA)	4-20 (4-20mA)
LCE	LOCK	0000 - NO LOCK 0001 - ALL LOCKED	0000 - NO LOCK



**TORONTO, ONTARIO  
CANADA**  
PH (416) 675-7329  
FX (416) 675-7349

**DISTRIBUTOR**