



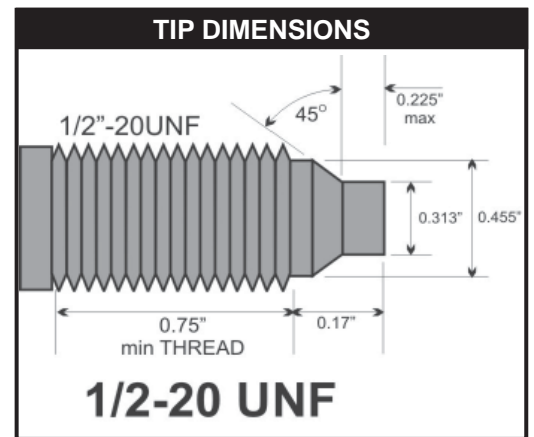
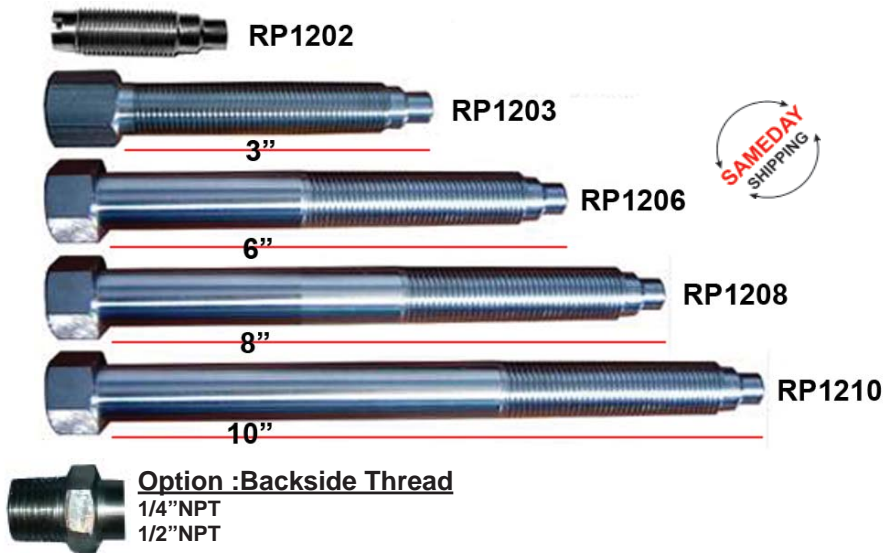
STANDARD FEATURES-

Max Temp - 750°F
 Inconel Diaphragm
 Standard Threads:
 1/2"-20UNF
 5/8"-11NC
 3/4"-16NC
 +/-5% Accuracy
 Ranges from:
 0-1500 to 14,500psi

OPTIONS

Max Temp - 1000°F
 Hastelloy Diaphragm
 Threads:
 1"-20UNF
 M18x1.5
 Others
 Custom Tip Dimensions

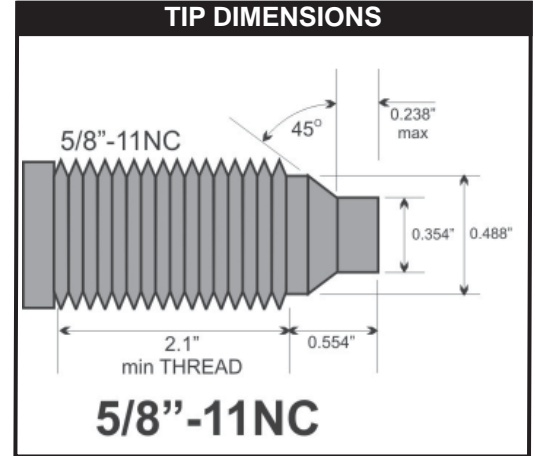
1/2"-20UNF EXTRUDER RUPTURE DISKS



STOCK LIST - 1/2"-20UNF

PRESSURE	1.82" L	3"+Hex	6"+Hex	8"+Hex	10"+Hex	12"+Hex
1500psi	RP1202-1500	RP1203-1500	RP1206-1500	RP1208-1500	RP1210-1500	RP1212-1500
2500psi	RP1202-2500	RP1203-2500	RP1206-2500	RP1208-2500	RP1210-2500	RP1212-2500
3500psi	RP1202-3500		RP1206-3500	RP1208-3500	RP1210-3500	RP1212-3500
4500psi	RP1202-4500		RP1206-4500	RP1208-4500	RP1210-4500	RP1212-4500
5000psi	RP1202-5000	RP1203-5000	RP1206-5000	RP1208-5000	RP1210-5000	RP1212-5000
5500psi	RP1202-5500	RP1203-5500	RP1206-5500	RP1208-5500	RP1210-5500	RP1212-5500
6500psi	RP1202-6500	RP1203-6500	RP1206-6500	RP1208-6500	RP1210-6500	RP1212-6500
7500psi	RP1202-7500	RP1203-7500	RP1206-7500	RP1208-7500	RP1210-7500	RP1212-7500
8500psi	RP1202-8500	RP1203-8500	RP1206-8500	RP1208-8500	RP1210-8500	RP1212-8500
9000psi	RP1202-9000	RP1203-9000	RP1206-9000	RP1208-9000	RP1210-9000	RP1212-9000
9500psi	RP1202-9500	RP1203-9500	RP1206-9500	RP1208-9500	RP1210-9500	RP1212-9500
10000psi	RP1202-10000	RP1203-10000	RP1206-10000	RP1208-10000	RP1210-10000	RP1212-10000
10500psi	RP1202-10500	RP1203-10500	RP1206-10500	RP1208-10500	RP1210-10500	RP1212-10500
11000psi		RP1203-11000	RP1206-11000	RP1208-11000	RP1210-11000	RP1212-11000
12000psi	RP1202-12000	RP1203-12000	RP1206-12000	RP1208-12000	RP1210-12000	RP1212-12000
14500psi	RP1202-14500	RP1203-14500	RP1206-14500	RP1208-14500	RP1210-14500	RP1212-14500

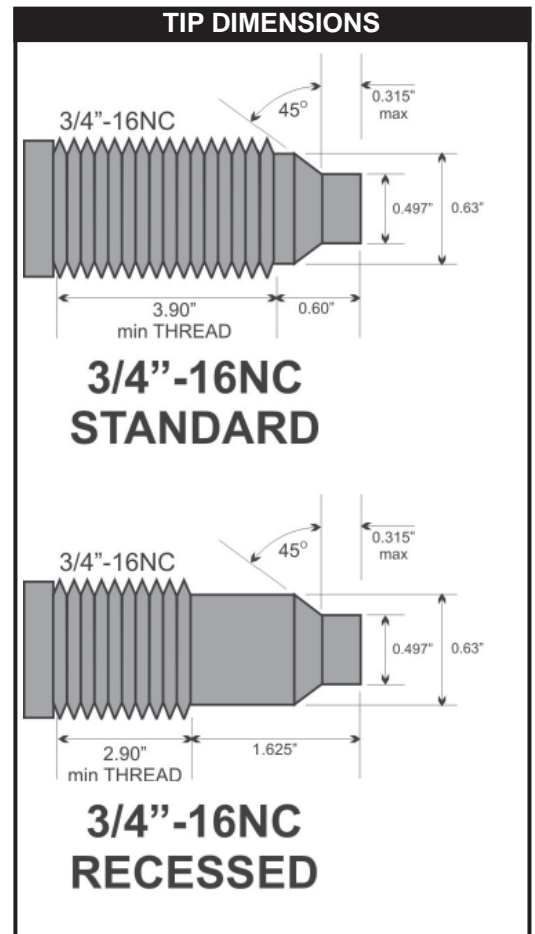
5/8"-11NC EXTRUDER RUPTURE DISKS



STOCK LIST - 5/8"-16NC

PRESSURE	4"L	7"L	9"L
5000psi	RP5804-5000	RP5807-5000	RP5809-5000
7500psi	RP5804-7500	RP5807-7500	RP5809-7500
10000psi	RP5804-10000	RP5807-10000	RP5809-10000

3/4"-16NC EXTRUDER RUPTURE DISKS



STOCK LIST - 3/4"-16NC

MODEL	5000psi	7500psi	9000psi	10,000psi
4"	RP3404-5000	RP3404-7500	RP3404-9000	RP3404-10000
4"R	RP3404R-5000	RP3404R-7500	RP3404R-9000	RP3404R-10000
5"	RP3405-5000	RP3405-7500	RP3405-9000	RP3405-10000
5"R	RP3405R-5000	RP3405R-7500	RP3405R-9000	RP3405R-10000
8"	RP3408-5000	RP3408-7500	RP3408-9000	RP3408-10000
8"R	RP3408R-5000	RP3408R-7500	RP3408R-9000	RP3408R-10000
9"	RP3409-5000	RP3409-7500	RP3409-9000	RP3409-10000
9"R	RP3409R-5000	RP3409R-7500	RP3409R-9000	RP3409R-10000