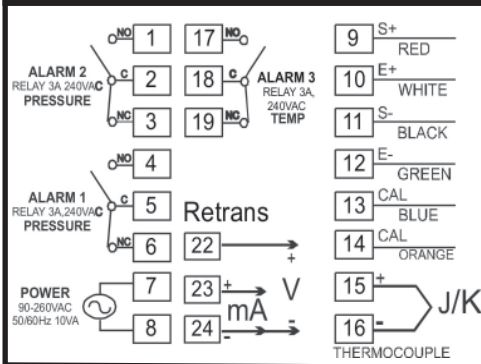


MPT9610 - PRESSURE & TEMP INDICATOR ALARM - 1/4DIN



TERMINAL CONFIGURATION



STANDARD

PRESSURE TRANSDUCER INPUT
 SCALEABLE RANGE
 3 CONFIGURABLE ALARMS
 HIGH/LOW/OFF TEMP or PRESS
 AUTO or MANUAL CALIBRATION
 MANUAL ZERO
 PROCESS VALUE - RETRANS
 THERMOCOUPLE J INPUT
 LOCKOUT
 OPTION - 24VDC

MODEL CODE

MPT9610-PTRRR - RETRANS of PV - Power
 M 4-20mA - 85-265VAC
 0 0-10mA - 24V 24VDC
 1 0-20mA
 5 0-5V
 6 1-5V
 10 0-10V

SPECIFICATIONS - MPT9610

INPUTS

PRESSURE TRANSDUCER 350ohm STRAIN GAUGE,
 2.00 - 4.00mV/V, standard 3.3mV/V

EXCIT 10VDC

TEMPERATURE THERMOCOUPLE J

ACCURACY +/-0.5%

SAMPLE RATE 100mS

ALARM OUTPUTS

ALARM 1, 2, 3 5A/240VAC resistive

POWER

RATING 85 - 265 VAC 50/60Hz 10VA max

RETRANSMISSION of PRESSURE VALUE

CURRENT 4-20mA, 0-20mA, 0-10mA Max load 500 ohm

VOLTAGE 0-10VDC, 0-5VDC, 1-5VDC Max 20mA

ENVIRONMENTAL

OPERAT TEMP -10 - 50C

HUMIDITY 90% MAX

INSULATION 20M ohms minimum @ 500VDC

PHYSICAL DIMENSIONS

MPT9610 96mmW x 96mmH x 100mmD

MPT9610 Cutout 91mmW x 91mmH +/-0.5mm

WEIGHT 300g