

### STANDARD

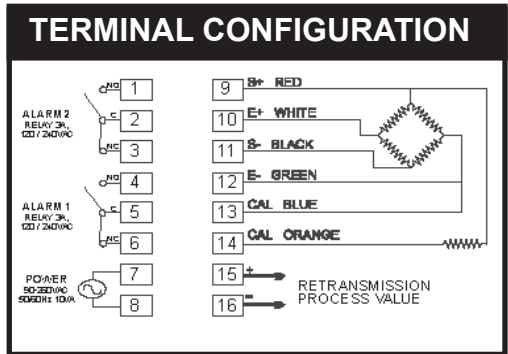
- 350ohm STRAIN GAGE INPUT
- SCALEABLE RANGE
- 2 CONFIGURABLE ALARMS
- HIGH/LOW/OFF
- AUTO / MANUAL CALIBRATION
- MANUAL ZERO
- LOCKOUT
- PROCESS VALUE - RETRANS
- OPTION - 24VDC

### MODEL CODE

MP9410-PRR -

RETRANS of PV	Power
M 4-20mA	85-265VAC
0 0-10mA	24VDC
1 0-20mA	
5 0-5V	
6 1-5V	
10 0-10V	

# MP9610 - PRESSURE INDICATOR ALARM - 1/4DIN



### STANDARD

- 350ohm STRAIN GAGE INPUT
- SCALEABLE RANGE
- 2 CONFIGURABLE ALARMS
- HIGH/LOW/OFF
- AUTO/MANUAL CALIBRATION
- MANUAL ZERO
- LOCKOUT
- PROCESS VALUE - RETRANS
- OPTION - 24VDC

### MODEL CODE

MP9610-PRR -

RETRANS of PV	Power
M 4-20mA	85-265VAC
0 0-10mA	24VDC
1 0-20mA	
5 0-5V	
6 1-5V	
10 0-10V	

## SPECIFICATIONS - MP9410 & MP9610

### INPUT - PRESSURE TRANSDUCER

350ohm STRAIN GAUGE 2.00-4.00mV/V standard 3.30mV/V  
 EXCITATION VOLTAGE 10VDC  
 ACCURACY +/-0.5%  
 SAMPLE RATE 100mS

### ALARM OUTPUTS

ALARM 1 5A/240VAC resistive NO/NC  
 ALARM 2 5A/240VAC resistive NO/NC

### RETRANSMISSION of PROCESS VALUE

CURRENT 4-20mA, 0-20mA, 0-10mA Max load 500 ohm  
 VOLTAGE 0-5VDC, 1-5VDC Max 20mA

### POWER

RATING 85 - 265 VAC 50/60Hz 10VA max

### ENVIRONMENTAL

OPERATING TEMP -10 - 50C  
 HUMIDITY 90% MAX  
 INSULATION 20M ohms minimum @ 500VDC  
 WEIGHT 300g

### PHYSICAL DIMENSIONS

MP9410 96mmW x 48mmH x 100mmD  
 MP9410 Cutout 91mmW x 45mmH +/-0.5mm  
 MP9610 96mmW x 96mmH x 100mmD  
 MP9610 Cutout 91mmW x 91mmH +/-0.5mm