

GENTRAN to MPI - INDICATOR REPLACEMENTS



GT434



GT409



GT435



Replace with →

PRESSURE



GT439



Replace with →

PRESSURE & TEMPERATURE



MP9610 - PRESSURE INDICATOR + ALARM



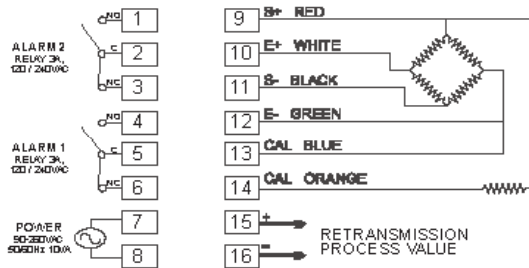
STANDARD
 PRESSURE TRANSDUCER INPUT
 THERMOCOUPLE J INPUT
 SCALEABLE RANGE
 3 CONFIGURABLE ALARMS
 HIGH/LOW/OFF TEMP or PRESS
 AUTO or MANUAL CALIBRATION
 MANUAL ZERO
 PROCESS VALUE - RETRANS
 LOCKOUT
 OPTION - 24VDC

MPT9610 - PRESSURE + TEMP INDICATOR + ALARM



STANDARD
 PRESSURE TRANSDUCER INPUT
 THERMOCOUPLE J INPUT
 SCALEABLE RANGE
 3 CONFIGURABLE ALARMS
 HIGH/LOW/OFF TEMP or PRESS
 AUTO or MANUAL CALIBRATION
 MANUAL ZERO
 PROCESS VALUE - RETRANS
 LOCKOUT
 OPTION - 24VDC

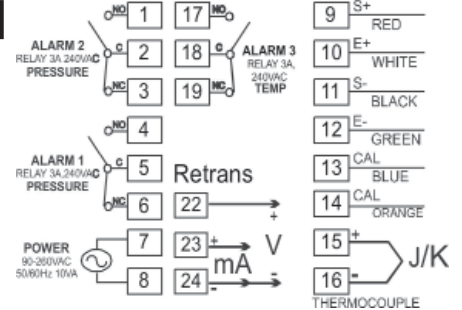
WIRING



ORDER CODE

MP9610-PRR - RETRANS of PV - 85-265VAC
 M 4-20mA
 0 0-10mA
 1 0-20mA
 5 0-5V
 6 1-5V
 10 0-10V
24V 24VDC

WIRING



ORDER CODE

MPT9610-PTRRR - RETRANS of PV - 85-265VAC
 M 4-20mA
 0 0-10mA
 1 0-20mA
 5 0-5V
 6 1-5V
 10 0-10V
24V 24VDC

MP9610 - PRESSURE INDICATOR + AL

GENTRAN GT409, 434, 435 - Cross Reference (**ask factory for other part numbers****)**

GENTRAN	MPI	Press Range	Alarms	Retransmission	power
GT409-x-6-xx-x-xx GT434-x-6-xx-x-xx GT435-x-6-xx-x-xx	MP9610-PRR-M	programmable 500-10000	2 programmable High / Low	4-20mA	85-265VAC
GT409-x-10-xx-x-xx GT434-x-10-xx-x-xx GT435-x-10-xx-x-xx	MP9610-PRR-10	programmable 500-10000	2 programmable High / Low	0-10VDC	85-265VAC
GT409-x-5-xx-x-xx GT434-x-5-xx-x-xx GT435-x-5-xx-x-xx	MP9610-PRR-5	programmable 500-10000	2 programmable High / Low	0-5VDC	85-265VAC

SPECIFICATIONS - MP9610

INPUT - PRESSURE TRANSDUCER

350ohm STRAIN GAUGE 2.00-4.00mV/V standard 3.30mV/V
 EXCITATION VOLTAGE 10VDC
 ACCURACY +/-0.5%
 SAMPLE RATE 100mS

ALARM OUTPUTS

ALARM 1 5A/240VAC resistive NO/NC
 ALARM 2 5A/240VAC resistive NO/NC

RETRANSMISSION of PROCESS VALUE

CURRENT 4-20mA, 0-20mA, 0-10mA Max load 500 ohm
 VOLTAGE 0-5VDC, 1-5VDC Max 20mA

POWER

RATING 85 - 265 VAC 50/60Hz 10VA max

ENVIRONMENTAL

OPERATING TEMP -10 - 50C
 HUMIDITY 90% MAX
 INSULATION 20M ohms minimum @ 500VDC
 WEIGHT 300g

PHYSICAL DIMENSIONS

MP9610 96mmW x 96mmH x 100mmD
 MP9610 Cutout 91mmW x 91mmH +/-0.5mm

MPT9610 - PRESSURE + TEMP INDICATOR + AL
GENTRAN GT439 - Cross Reference (**ask factory for other part numbers****)**

GENTRAN	MPI	Press Range	Temp Range	Alarms	Retransmission	power
GT439-x-6-xx-x-xx	MP9610-PRR-M	programmable 500-10000	Thermocouple J (°F/°C)	3 programmable High / Low	4-20mA	85-265VAC
GT439-x-10-xx-x-xx	MP9610-PRR-10	programmable 500-10000	Thermocouple J (°F/°C)	3 programmable High / Low	0-10VDC	85-265VAC
GT439-x-5-xx-x-xx	MP9610-PRR-5	programmable 500-10000	Thermocouple J (°F/°C)	3 programmable High / Low	0-5VDC	85-265VAC

SPECIFICATIONS - MPT9610

INPUTS

PRESSURE TRANSDUCER 350ohm STRAIN GAUGE,
 2.00 - 4.00mV/V, standard 3.3mV/V
 EXCIT 10VDC
 TEMPERATURE THERMOCOUPLE J - deg F/C
 ACCURACY +/-0.5%
 SAMPLE RATE 100mS

ALARM OUTPUTS

ALARM 1, 2, 3 5A/240VAC resistive

POWER

RATING 85 - 265 VAC 50/60Hz 10VA max

RETRANS of PRESSURE VALUE

CURRENT 4-20mA, 0-20mA, 0-10mA Max load 500 ohm
 VOLTAGE 0-10VDC, 0-5VDC, 1-5VDC Max 20mA

ENVIRONMENTAL

OPERAT TEMP -10 - 50C
 HUMIDITY 90% MAX
 INSULATION 20M ohms minimum @ 500VDC

PHYSICAL DIMENSIONS

MPT9610 96mmW x 96mmH x 100mmD
 MPT9610 Cutout 91mmW x 91mmH +/-0.5mm
 WEIGHT 300g